

AutoSwitch[™]

Design & Assembly in USA Most Parts Imported Printed in USA 06/2005

Antenna World Inc
sales@autoswitch.com
www.autoswitch.com

**USE Model 5PG2 for F Bikes,
2005up R1200GS, R1200RT, R1200R
K1200S, K1200R etc.**

VOLT OHM METER USE STRONGLY SUGGESTED

Model 5NG2

Model 5PG2 Available:
Uses a Positive Trigger

Utilize Turn Signal Cancel Button '93-'04 -BMW's

READ Through BEFORE Starting Please!

INSTRUCTIONS

This device is designed to control a radio transmit remote garage door opener by means of a timed 1 second contact closure on the white-black cable which connects to mechanical switch contacts inside controller housing

Thank you for ordering Autoswitch. The better smarter way to control garage door opener on motorcycles, Cars, ATVs etc.

THE BASICS FOR BMW MODERN R & K series BIKES:

Red wire to 12volts after ignition switch, Orange wire to Turn Signal Cancel Button, White/Black Cable to Opener, Black to ground. WIRING DIAGRAM ON REVERSE SIDE OF PAGE. Use your VOM to find ground and power.

DETAILED INFORMATION, GENERALIZED FOR VARIOUS BMW MOTORCYCLES:

1. If not previously prepared by Antenna World or your dealer, carefully connect 2 wires inside your garage opener at the points you determine are being closed when opener button is pressed. (Use a continuity or Ohm meter) If you are unable to perform this task, Antenna World will do it for a flat fee \$20.00 postpaid if you send us your opener w/Autoswitch order.
2. Autoswitch wiring: Learn where your main wire harness is located, Or find the required wires along the frame. In case you must remove the fuel tank, wait until you have it near empty for easier handling. Some bikes' wire harness can be accessed by removing tank bolts and sliding the tank back to expose connector blocks for easy work.
3. Use a VOLTMETER or Test Light. Locate a 12 volt wire that gets power when you turn on the ignition. This will be the Autoswitch main power. Pull that wire a bit away from the rest of the bundle. Then connect the **RED Autoswitch wire** to it. See "WIRE CONNECTIONS" tips, next page. An A T C Fuse Tap can be used to plug in over a fuse instead. **NOTE! Be sure you used a wire which is NOT switched OFF DURING bike operation for any reason.**
Tip: **R1100RT** (1996) green w/brown stripe or **R1150RT** green w/blue stripe under turn signal module provides a good source. The GS, R and C models should be the same. **K1200RS**: Light blue w/dark-blue stripe near top of wiring box.

WARNING! BE SURE You check your work. Check all connector blocks, wire harnesses and be sure nothing is left different than original. Autoswitch only taps into existing lines and does not affect any electrical circuits. Be sure all the new wires are properly tied with supplied tie-wraps and away from high heat sources.
WARNING! The wire selections we made **MUST** be confirmed on your bike before making connections. There "could" be a difference! Use a Volt-Ohm meter.

4. The turn signal control module is a 1x2" cube in the right rear of the R11 electrical box. Pull it up. Do not disconnect it. There are about 12 wires underneath. Pull away some harness sheath and select the brown wire with white stripe. Connect the **orange Autoswitch wire** to it. The R1100GS, R1100RT, R1150RT and K1200RS are confirmed for this tap point. Note: on K1200RS it is under tank inside elect. box. It is likely that ALL other BMWs to 2004 have the same color wire for turn signal cancel.

For the K1200LT the wiring is a little more complex. We recommend locating the Autoswitch under the seat where you can connect the red and black as directed on this sheet or diagram on reverse side.. Route the orange wire to the front of the bike and follow the brake hose leading to the right handlebar cluster. Remove the handlebar cover (2 Allen head 3mm from below) Find the largest wire bundle and tap into the brown wire with white stripes.

For other modern (not CAN-BUS) BMWs you can locate the turn signal cancel button by using an ohm meter to find ground continuity when the cancel button is pressed. Chances are it will be brown with white stripes again.

5. Now connect the black and white wire pair from Autoswitch (black/white cable) to the 2 wires connected inside your opener. Then locate your opener away from, and not covered by large metal plates, under your seat or where its covered by your body. The best radio signal range is having your opener strapped or attached to a non metallic part. Or with metal on only one side. Experiment for best radio control range.

6. Select the **BLACK** wire from Autoswitch and connect it to chassis ground or the neg battery terminal. **Now test Autoswitch** for proper operation! The LED will light **RED** upon power up for 1 second. Now, tap Turn-Signal-Cancel Button twice rapidly in under 2 seconds to sequence your opener. The LED lights up during the contact closure to the opener.

Continued on Reverse

7. Take the LED cable and route along to a convenient location on the bike near your instrument pod or handlebars. The LED should point at your eyes for brightest light. Tie it down with a tie-wrap 1" down from the LED itself so you can adjust for best angle depending on your preference for night and day brightness. Tie the wire along securely and be sure the tank will not be pinching it when it is replaced! This LED can also be mounted in a small hole.

8. Now wrap up the wires you just connected for Autoswitch and tuck the Autoswitch into an out-of-the-way place and use the larger tie-wraps to secure it. **OR** find a flat spot and stick the housing to it after removing the high-adhesive tape backing.. Secure the wires with the small tie-wraps and cut off excess.

WIRE CONNECTIONS: We provide the RED Multi-Taps for faster installs. Connections should be soldered and covered with a slit piece of scrap thick wire jacket tied on each end with a small tie wrap. All splices soldered and heat shrink covered.

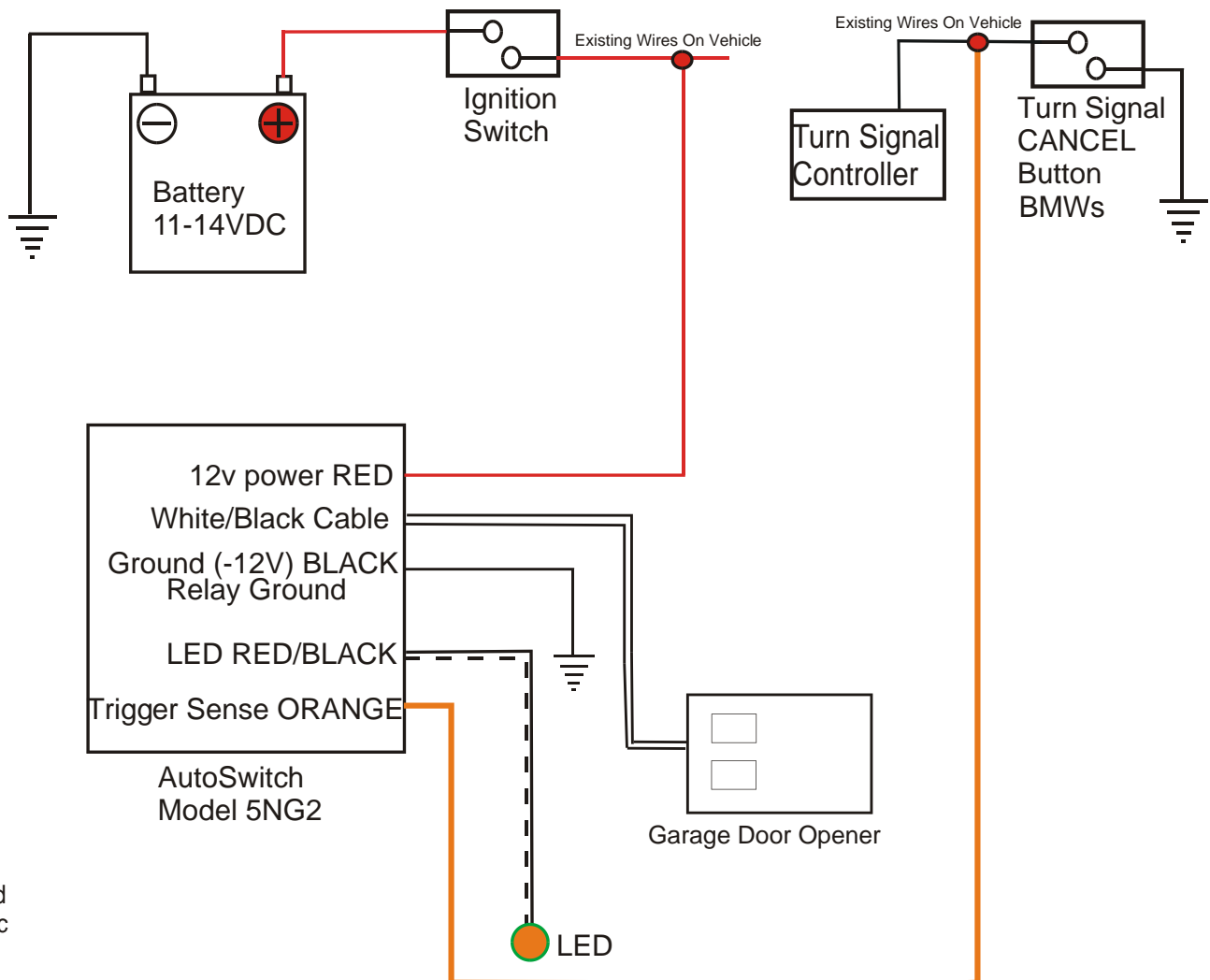
WARNING: Keep these wires away from heat, just as your wiring harness is protected, these wires' insulation will melt with high engine/exhaust heat.

HELP For help or questions please **use email. 7-Days! 7AM-11PM.** I will be glad to help! Now enjoy your new Autoswitch. Tell your friends about it. Give us feedback, good or bad!

OPERATION:

PRESS THE TURN SIGNAL CANCEL BUTTON TWICE QUICKLY AND OBSERVE LED LIGHT UP DURING CONTACT CLOSURE ON THE OPENER (SAME AS FINGER HOLDING OPENER BUTTON). THE OPENER WILL TRANSMIT YOUR ENCODED OPENER SIGNAL AND CONTROL YOUR GARAGE DOOR.

Tech Note: the new CAN-BUS BMW motos use a digital signal at the TSC button to control the main computer which turns off the turn signal. The best solution for those systems is to use the P models (positive 12V trigger) on the high beam or brake light bulb.



MADE IN
The USA
w/Imported
& Domestic
Parts