

# AutoSwitch AS7G

**Controls Your Garage Remote. For ALL Motorcycles.**

What it is: Remotely "Pushes" or Activates Button Contacts on YOUR Garage Remote Control Transmitter

This digital electronic circuit provides 2 wires to be attached by soldering inside your garage remote.

AS7intsV1.2 10-15-11

pat pend

[www.autoswitch.com](http://www.autoswitch.com) English/Spanish [www.autoswitch.de](http://www.autoswitch.de) (EU) English/German

## Special Features:

Auto Sensing upon power-up for BMW CAN-BUS or any positive trigger system.

Configure it for Negative Ground pulse. BMW '92-05

Future Proof. Combinations of program and settings permit for future applications.

## Installation

1. Be sure to use a VOM. (Volt Ohm Meter). Expose bike fairings as required. Connect RED wire to +12V source that ignition switch turns on and off. Connect BLACK wire to chassis.
2. Connect twin-orange wire to your garage remote. Route the indicator LED wire and attach LED in a visible location on handlebar or instrument pod using tie wraps. Hide/attach the remote away from metallic parts. Best under a fairing. Use Tie wraps and tape.
3. Connect sensor wire (YELLOW) to the high beam bulb wire. Operation will be via the high beam button. OR if installing on a BMW CAN-BUS bike (2006+) connect sensor to turn signal cancel button wire. Operation will be via this button. If installing on BMW 1994-2005 (before CAN-BUS) also connect to turn signal cancel button wire then join the 2 short blue wires.
4. Use your VOM to locate contact points inside your remote. or send to us with \$20 for the job.

## Program Change to "2-quick-pulse" operation

Optional Programming AS7G for 2 quick pulses. It comes preset to single pulse and nothing has to be done if you want it this way. This activation change can be done at any time after AS7G is installed and does not change regardless of power on or off.

Push and hold the turn signal cancel OR high beam button or whatever is connected to the sensor wire approximately 40 seconds until the LED starts flashing red. Then pulse the button on and off continuously until you see it flash green and turn off. The LED turns OFF for a second then lights solid same color it was before this programming started.

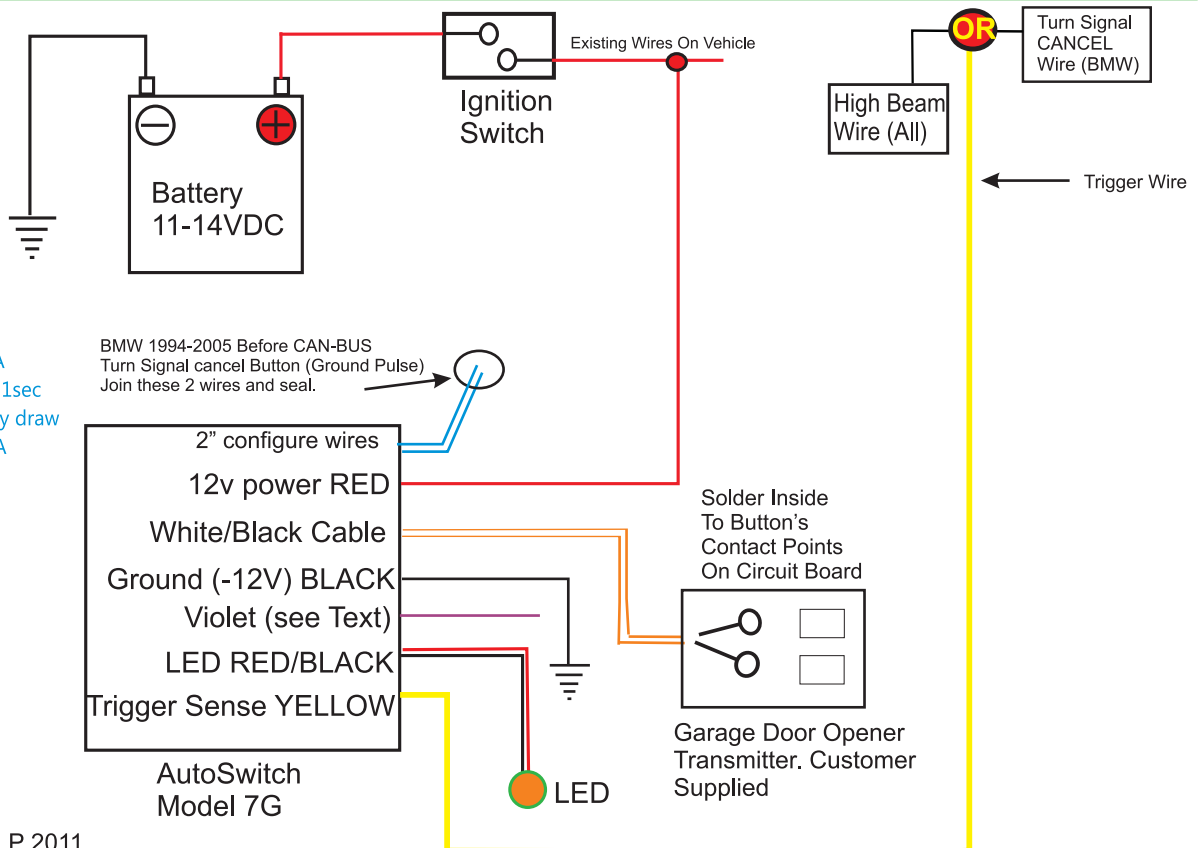
## OPERATION Single Pulse Version

**PUSH AND HOLD** THE Activation BUTTON UNTIL THE LED STARTS FLASHING FAST. DURING THE FAST FLASHING, **RELEASE** THE Activation BUTTON. THIS WILL "PRESS" THE BUTTON ON YOUR REMOTE FOR 1 SECOND.

## OPERATION 2-Quick-Pulses Version

**TAP TWICE QUICKLY** THE Activation BUTTON WHILE LED FLASHES FAST. THIS WILL "PRESS" THE BUTTON ON YOUR REMOTE FOR 1 SECOND.

More Details  
at Website  
[www.autoswitch.com](http://www.autoswitch.com)



## Basic Tech:

Current Draw: OFF State 15-20mA  
Current Draw ON State 60-80mA 1sec  
Plus 20mA micro relay momentary draw  
Double Orange Cable max 100mA  
500mA durable circuit  
Input Voltage: 10-16V DC  
Trigger Voltage OFF: 0-6VDC  
Trigger Voltage ON: 9-16VDC

MADE IN  
The USA  
w/Imported  
& Domestic  
Parts