

AutoSwitch[™]

Patent Pending Made In USA of Imported Parts printed in USA

AWI Mfg, Inc. Miami FL
305-471-7973
sales@autoswitch.com

Model 5P
High Beam Trigger

Model 5NB Available
For -12V Trigger BMW

READ Through BEFORE Starting Please! INSTRUCTIONS

This device is designed to control aftermarket auxiliary headlights. OEM plug-in lights can also be controlled but requires modification of that plug-in wiring system.

Thank you for ordering Autoswitch. The better smarter way to control your auxiliary lights on motorcycles, Cars, ATVs etc.

THE BASICS:

Red wire to 12volts after ignition switch, Yellow to the high beam wire, Violet wire to your light relay COIL.. Black to ground. WIRING DIAGRAM ON REVERSE SIDE OF THIS PAGE!

DETAILED INFORMATION, GENERALIZED FOR MANY MOTORCYCLES:

1. If not previously installed, install your aftermarket auxiliary lights per manufacturer instructions, including the relay they supply.
2. Autoswitch wiring :Learn where your main wire harness is located, Or find the required wires along the frame. In case you must remove the fuel tank , It will be best to wait until you have it near empty for easier handling. Some bikes' wire harness can be accessed by removing tank bolts and sliding the tank back.
3. Use a VOLTMETER or Test Light. Locate a 12 volt wire that is gets power only when you turn on the ignition. This will be the Autoswitch main power (RED). Pull that wire a bit away from the rest of the bundle. Then use the included wire-snap clips to grab onto the wire and the RED Autoswitch wire.. Close and snap together the connector housing using a pair of plyers.
NOTE! Be sure you used a wire which is NOT switched OFF when you activate your high-Beam!

WARNING! BE SURE YOU DID NOT LOOSEN OR PULL YOUR HEADLIGHT WIRE OR CONNECTOR FROM ITS CONNECTOR BLOCK. CHECK YOUR WORK CAREFULLY! NOTHING SHOULD BE DISCONNECTED, AUTOSWITCH JUST "LOOKS" AT OR SAMPLES YOUR HEADLIGHT VOLTAGE AND NEVER INTERRUPTS IT.

4. Locate the wire that gets voltage when you turn on the high beam. Just switch the high beam on and off while probing with from rear of the connector block and watch the voltmeter.. Once you locate the right wire attach the YELLOW wire from the Autoswitch with the wire-snap clip as in step 3.
5. Now locate the auxiliary light relay. Take the relay pin which had their supplied toggle switch and connect it to the Autoswitch VIOLET (PURPLE) wire. That is one side of relay COIL. Other side of the coil must be grounded.
6. Select the BLACK wire from Autoswitch and connect it to chassis ground or the neg battery terminal. **Now test Autoswitch** for proper operation! The LED will light RED upon power up for 1 second. Now, Push and hold or turn ON the high beam for just over 1 second or until you see fast flashing. RELEASE high beam button or TURN OFF high beam DURING the fast flashing of the LED. Repeat the same sequence to turn OFF the auxiliary driving lights.)
7. Take the thin Dual-black LED cable and route along to a convenient location on the bike near your instrument pod or handlebars. The LED should point at your eyes for brightest light. Tie it down with a tie-wrap 1" down from the LED itself so you can adjust for best angle depending on your preference for night and day brightness. Tie the wire along securely and be sure the tank will not be pinching it when it is replaced! This LED can also be mounted in a small hole. LED warning: If you cut cable to shorten or lengthen be sure wires never short circuit with power on unit. This kills the processor.
8. Now wrap up the wires you just connected for Autoswitch and tuck the Autoswitch into an out-of-the-way place and use the larger tie-wraps to secure it. **OR** find a flat spot and stick the housing to it after removing the high-adhesive tape backing.. Secure the wires with the small tie-wraps and cut off excess.

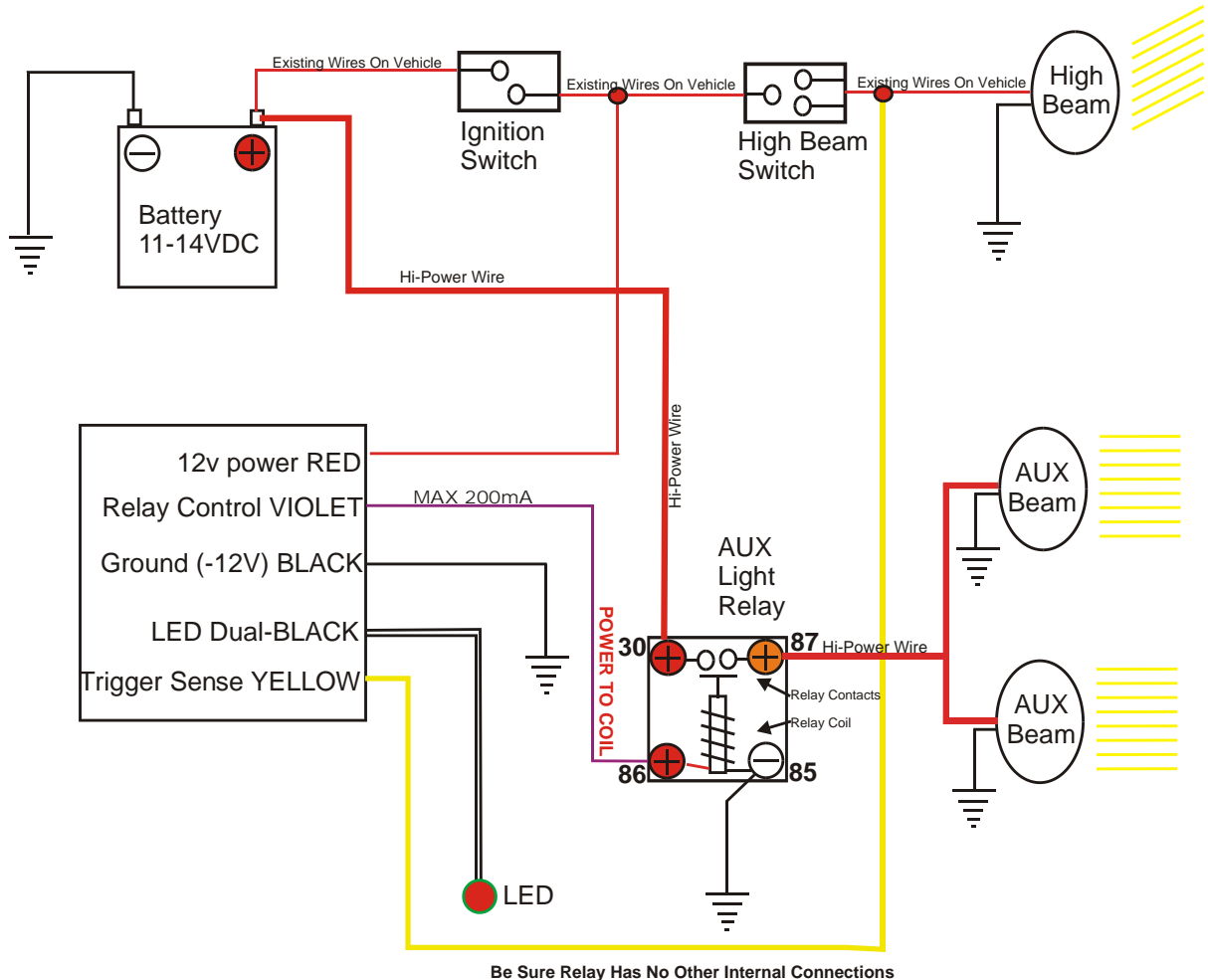
WARNING: Keep these wires away from heat, just as your wiring harness is protected, these wires' insulation will melt with high engine/exhaust heat.

HELP For help or questions please **use email. 7-Days! 7AM-11PM.** I will be glad to help! Now enjoy your new Autoswitch. Tell your friends about it. Give us feedback, good or bad!

AWI MFG
 AutoSwitch
 Model 5P
 Made IN USA
 w/Imported &
 US Parts

AUTOSWITCH 5P

04/ 2004



PIAA Info: On the harness that comes with the compact light kits there is a 3-pin connector block going to the lighted switch. The white w/ red stripe wire on the EDGE of the 3-pin connector goes to the coil - this is where violet wire should be connected. The center white/red stripe is live +12V and **NEVER connect** Autoswitch violet wire to that! This info applies to the **SMALL** light sets. The wiring is different for the **LARGE** lights with the extra large relay. Please use your volt meter to find wanted voltages and its effects

Model 5P2 takes 2 Quick Pulses Before The timing For Model 5P Starts. Allows 2 Autoswitches on Board to Control Separate Relays!

GARAGE DOOR VERSION COMING SOON!